

# Technical data sheet



Product features

**Cabinet 1x Door 33x53**

**Model**

**SAP Code**

00003000



– Material: Stainless steel

# Technical data sheet



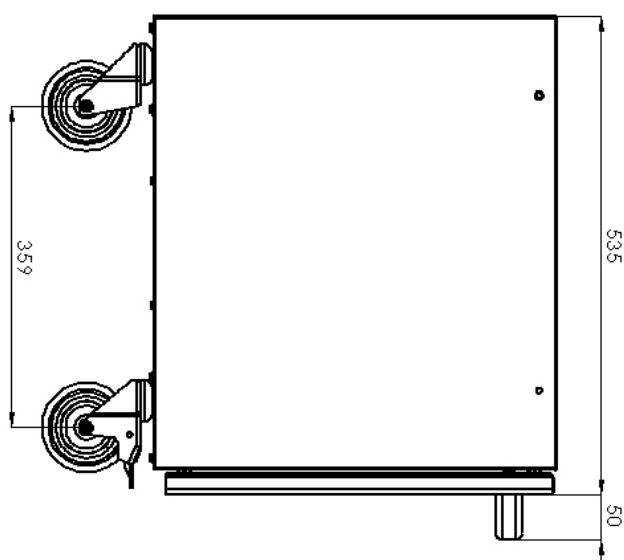
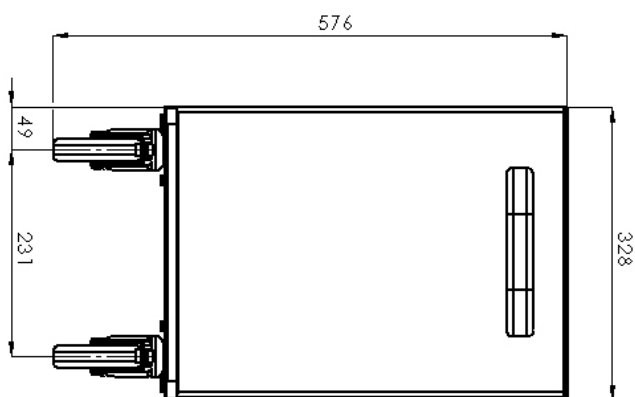
Technical drawing

Cabinet 1x Door 33x53

Model

SAP Code

00003000



# Technical data sheet



Technical parameters

## Cabinet 1x Door 33x53

Model

SAP Code

00003000

**1. SAP Code:**

00003000

**6. Gross Width [mm]:**

370

**2. Net Width [mm]:**

330

**7. Gross depth [mm]:**

610

**3. Net Depth [mm]:**

510

**8. Gross Height [mm]:**

600

**4. Net Height [mm]:**

570

**9. Gross Weight [kg]:**

12.00

**5. Net Weight [kg]:**

10.00

**10. Material:**

Stainless steel